

# Victoria Modular Workbench

BENCHMARK



# Victoria Modular Workbench

BENCHMARK



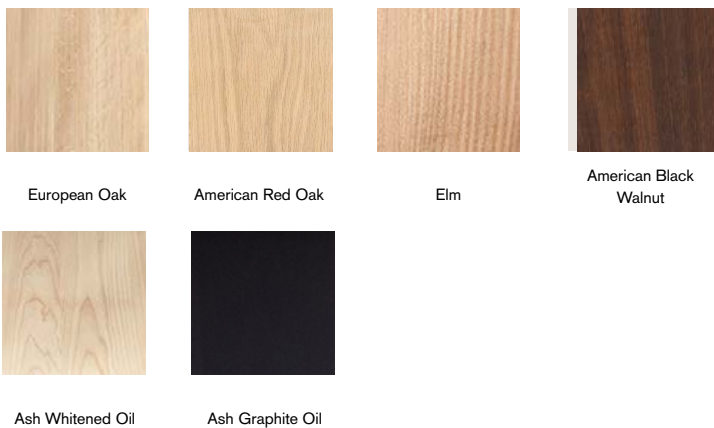
## SPECIFICATION

Materials:	Solid Timber
Top:	EuroOak / American Red Oak / Ash / Elm / American Black Walnut
Frame:	Ash - Whitened / Graphite
Power & Data	Surface Mounted / Integrated
Lids	Hinged / Lift Out
Accessories	Screen / Divider / Light / Shelf
Bespoke Options:	Size / Finish / Edge Profile

## DIMENSIONS

1200 x 1500 x 750  
2400 x 1500 x 750  
3600 x 1500 x 750

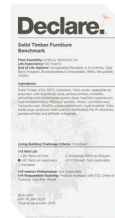
## FINISHES



Finished with low VOC natural hard wax oil.

## TRANSPARENT HEALTHY PRODUCTS

For complete transparency, our solid timber furniture has Red List Free and Declare labelling – an internationally recognised ingredients list for products that shows where it comes from, what is made of and where it goes at the end of its life. Red List Free means that it contains no harmful toxic chemicals and meets the standards for WELL certified buildings.



## ENVIRONMENTAL CREDENTIALS

We have invested in Life Cycle Assessments and independently verified Environmental Product Declarations (EPD's) to demonstrate the impact of our furniture. A negative carbon footprint means that it stores more carbon than it emits during manufacture, distribution and use.

### Victoria 6 Person Workbench

Made in American Red Oak

Carbon absorbed -460kg  
Carbon emitted +316kg



Our Made WELL Sustainability Report is available for download from our website or email us to request a copy.

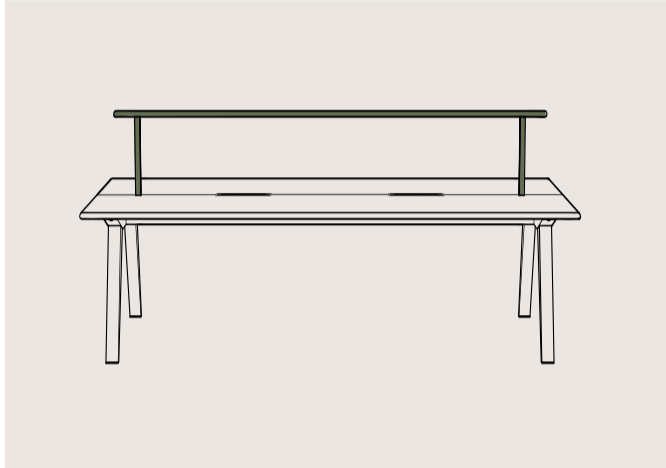
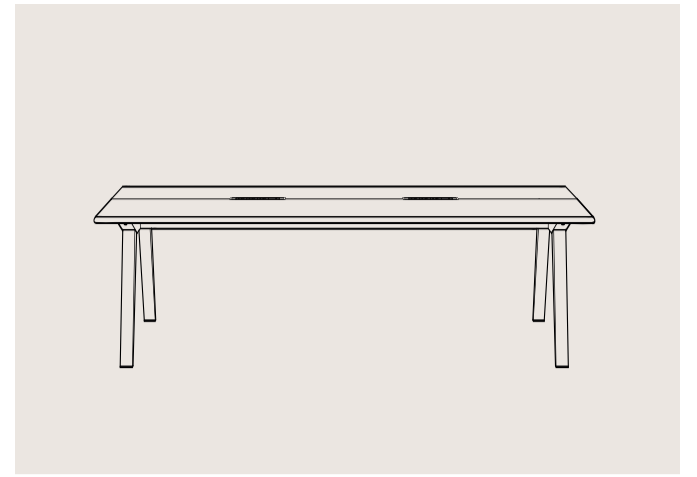


# VICTORIA Modular Workbench

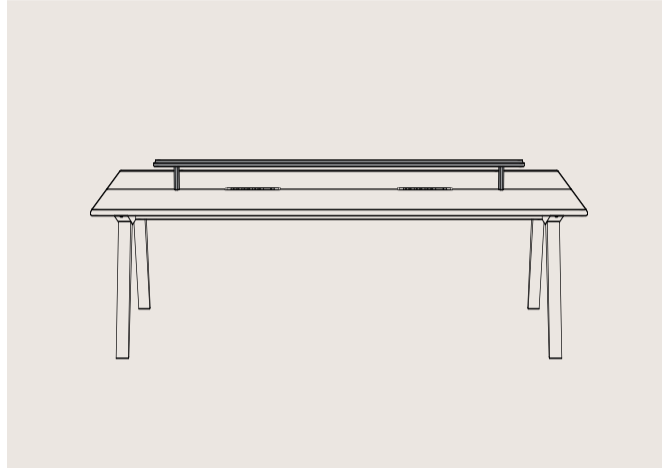
BENCHMARK

Designed to adapt as workplaces grow or shrink, the Victoria can be expanded from a basic desk for four people to become a collaborative space, simply by adding connecting worktops. Power and data modules, lighting, shelves, privacy screens and dividers can all be added or removed as requirements change.

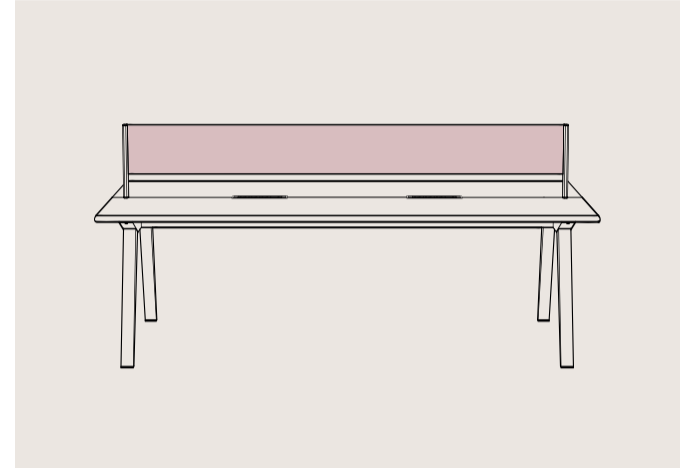
Made in solid FSC timber in a choice of finishes, the Victoria Collection comes with carbon footprint and Red List Free Declare Labelling showing that it contains no harmful toxic chemicals and meets the standards for WELL certified buildings.



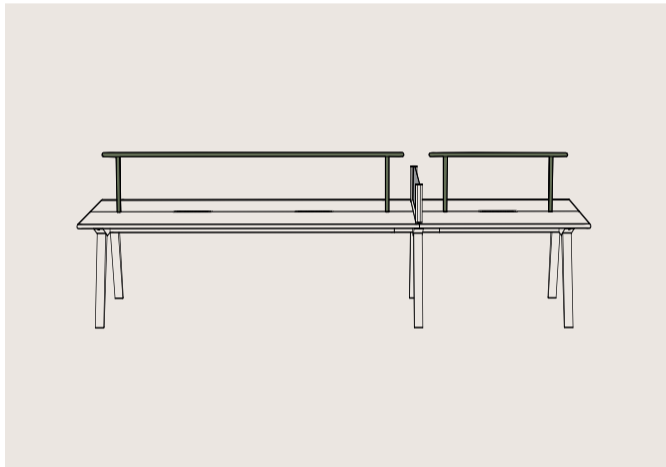
4 SEAT  
With Light



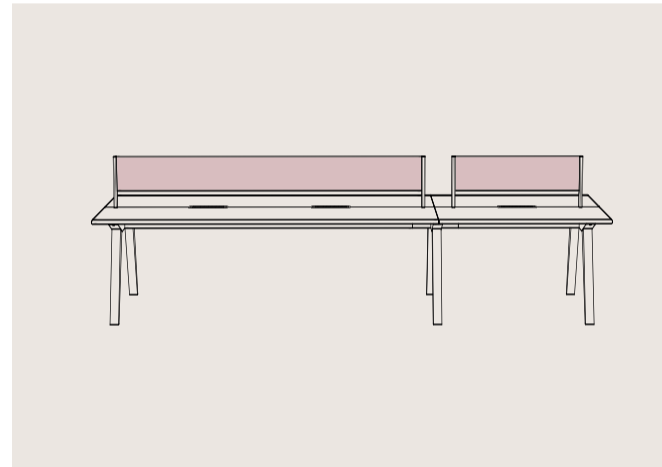
4 SEAT  
With Low Shelf



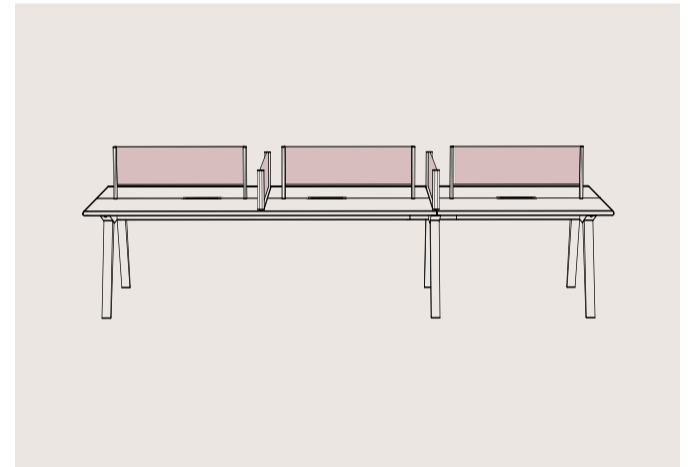
4 SEAT  
With Screen



4 SEAT + 2 SEAT  
With Lights and Divider



4 SEAT + 2 SEAT  
With Screens



4 SEAT + 2 SEAT  
With Screens & Dividers



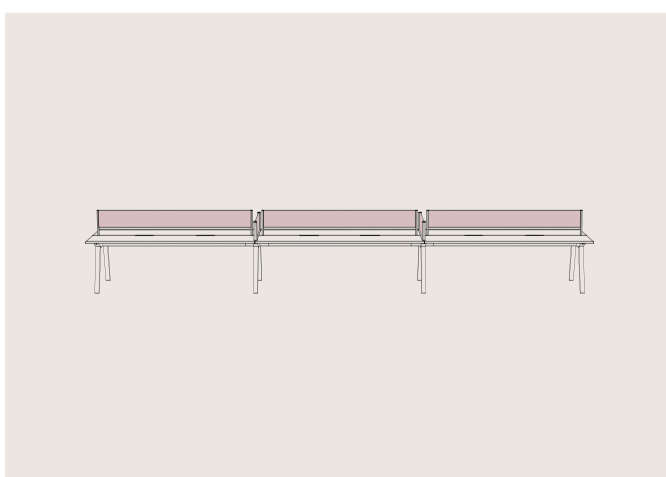
2 SEAT + 4 SEAT + 2 SEAT  
With Lights



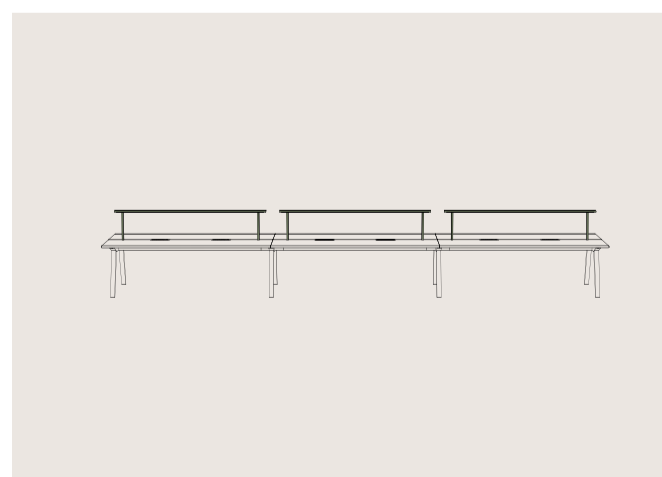
4 SEAT + 4 SEAT  
With Screens



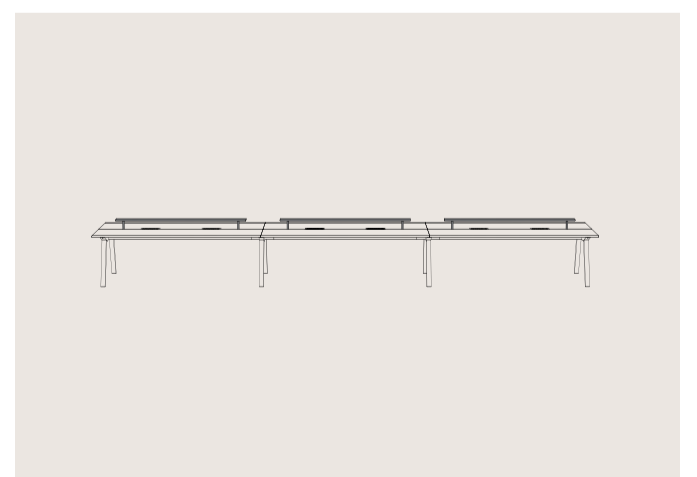
4 SEAT + 4 SEAT  
With Lights & Low Shelf



4 SEAT + 4 SEAT  
With Screens



4 SEAT + 4 SEAT + 4 SEAT  
With Lights



4 SEAT + 4 SEAT + 4 SEAT  
With Low Shelves



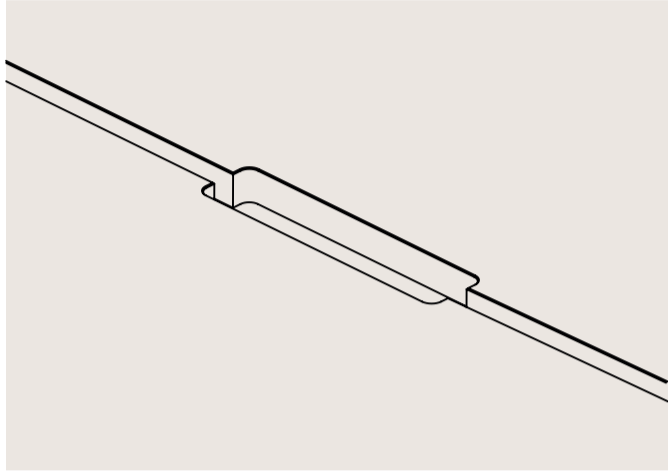
# VICTORIA Modular Workbench - Cable Management and Accessories

The Victoria Modular Workbench System has been designed for ultimate flexibility and futureproofing. Just as the desk arrangement can be scaled up or down, the power management and accessories can also be adapted as needs change.

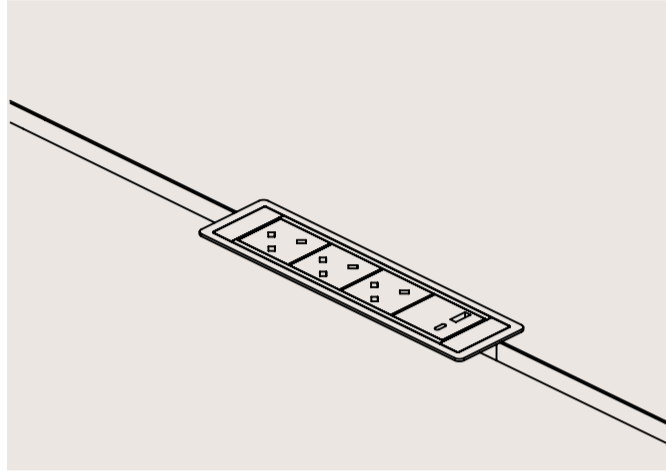
The split tabletop allows for straightforward cable management and positioning of the accessories at any point along the surface.

In its simplest form, the basic cut-out, which also acts as a slot for monitor arm fixing, enables cables to drop down to a power bank sitting in the cable tray. Alternatively, the cut-out can house a surface-mounted power module or for integrated power, we offer the option of a twin hinged or lift-out timber lid.

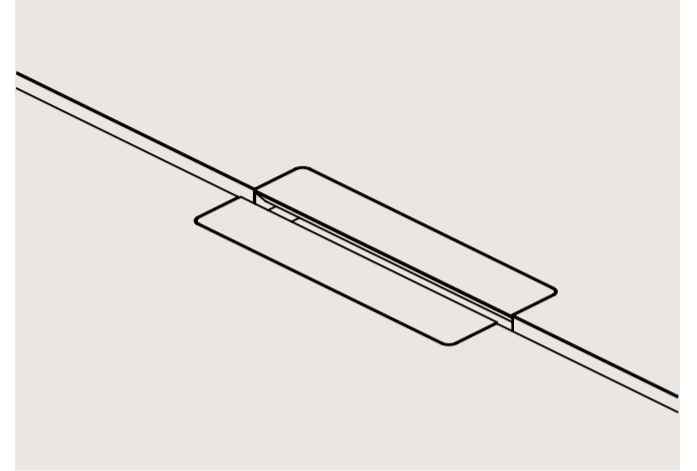
The number and position of cut-outs and power modules per workbench is optional. Two cut-outs per top enables left or right-handed working. Power modules can be dropped in at a later stage of required.



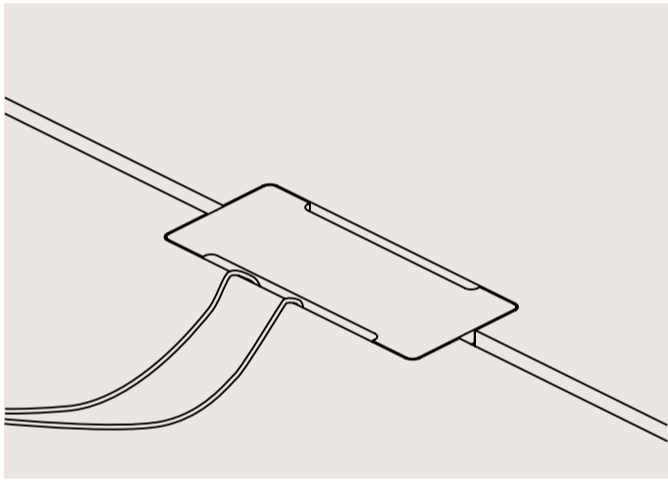
CUT-OUT



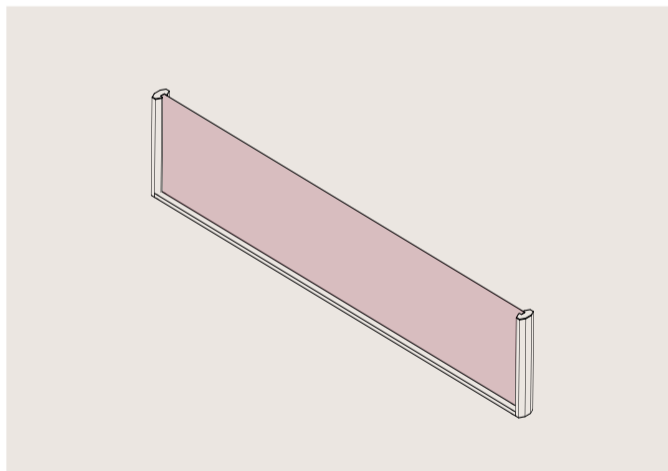
SURFACE MOUNTED DROP-IN POWER



INTEGRATED POWER - TWIN HINGED TIMBER LID



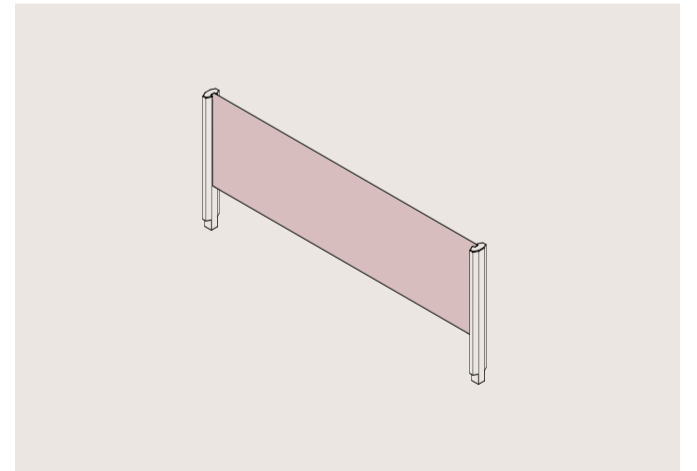
INTEGRATED POWER - LIFT OUT TIMBER LID



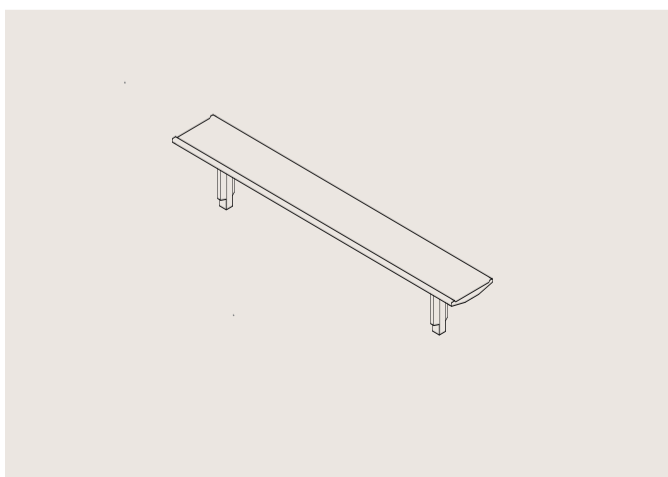
DIVIDER



LIGHT



SCREEN



SHELF

